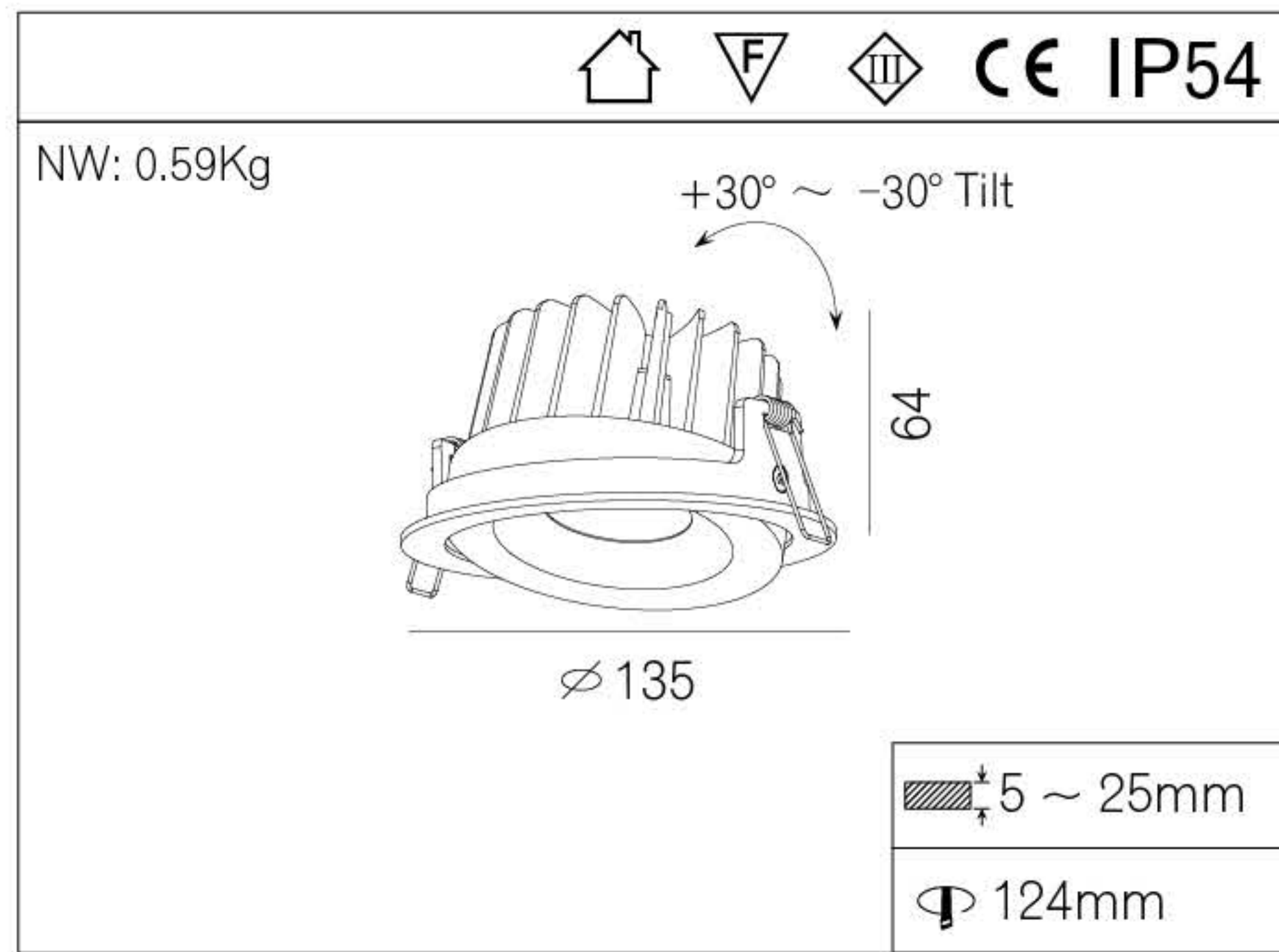
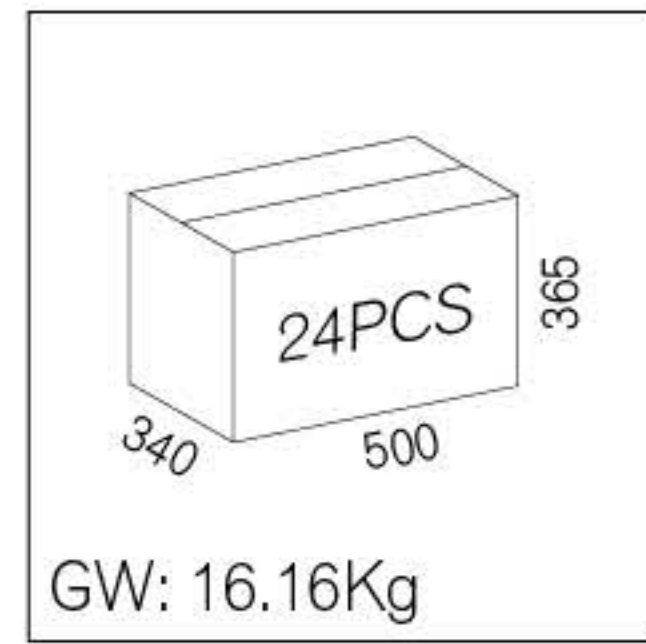
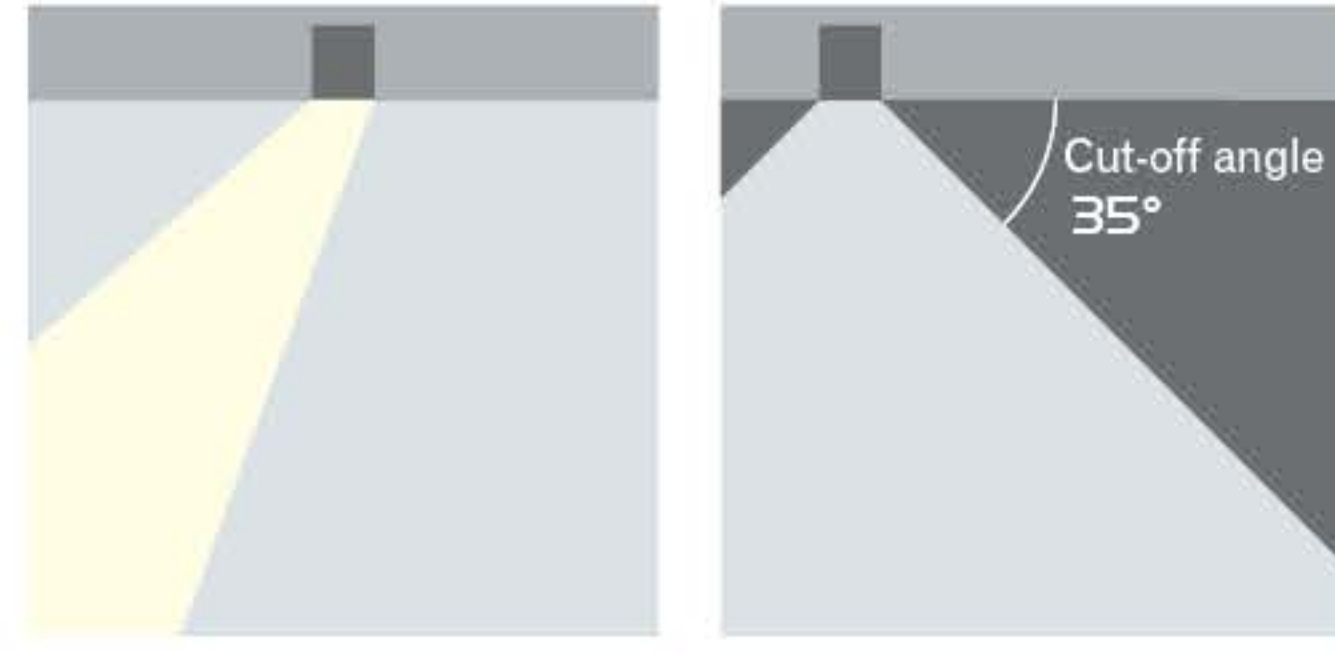


HIPLD-Flux



- R3B0179** AW
- R3B0179** NA
- R3B0179** MA

This product contains an aluminum die-cast front and a pure aluminum heat sink, completes with powder coating; By using the new generation of CITIZEN COB LED chip, this product creates extreme low heat and offers an excellent lumen performance; A range of PC reflectors are available with different beam angles, all completing with high reflecting vacuum plated finishing; Clip installation and adjustable; IP54

Suitable for use in areas like , hotel , fancy stores, supermarket and etc. This product is in compliance with CE and RoHS directives.

- 30W LED 2700K-3000K / excl. 720mA LED Driver / 37V
- 30W LED 2700K-3000K / excl. 720mA LED Driver / 37V
- 30W LED 2700K-3000K / excl. 720mA LED Driver / 37V



High	illuminance	Diameter
1 m	7099 lx	0.46 m
2 m	1775 lx	0.92 m
3 m	789 lx	1.39 m
4 m	444 lx	1.85 m
5 m	284 lx	2.31 m



- AW 30W LED 2700K-3000K / excl. 720mA LED Driver / 37V
- NA 30W LED 2700K-3000K / excl. 720mA LED Driver / 37V
- MA 30W LED 2700K-3000K / excl. 720mA LED Driver / 37V



High	illuminance	Diameter
1 m	3097 lx	0.57 m
2 m	774 lx	1.15 m
3 m	344 lx	1.95 m
4 m	194 lx	2.47 m
5 m	124 lx	3.16 m



- AW 30W LED 2700K-3000K / excl. 720mA LED Driver / 37V
- NA 30W LED 2700K-3000K / excl. 720mA LED Driver / 37V
- MA 30W LED 2700K-3000K / excl. 720mA LED Driver / 37V



High	illuminance	Diameter
1 m	1378 lx	1.15 m
2 m	345 lx	2.31 m
3 m	153 lx	3.46 m
4 m	86 lx	4.62 m
5 m	55 lx	5.77 m

