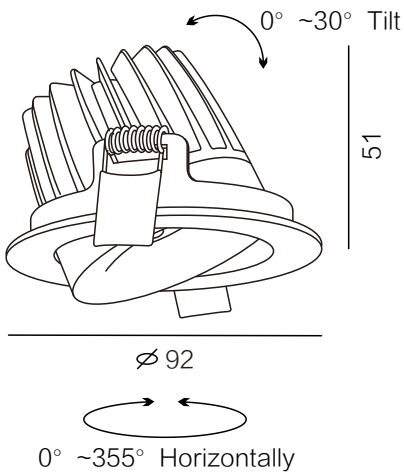


SPECIFICATIONS



Product code:	R3B0759
Power:	10W
Electric data:	DC 250mA 37V
Lumen:	380 lm
Beam angle:	15° 24° 36°
Color temperature:	3000K
IP class:	IP44
Fixture size:	φ92*51mm
Cutout size:	φ87mm
LED source:	COB LED
Fixture material:	Aluminum
Finish:	Texture White(AW)/Texture Black(AB)



Contact:
Australia – Melbourne office:
info@val-international.com.au

China manufacturing – Dongguan
info@val-international.com.au

