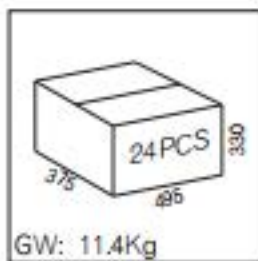



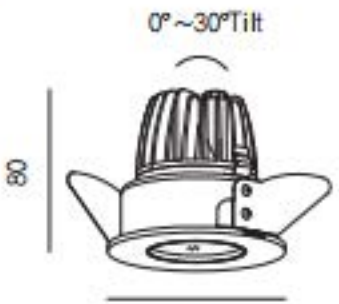


The lamp body is made of pure aluminum, radiator molded through die-casting, good layout design and heat dissipation effect. Use spring installation, simple and convenient; its adjustable and can meet the needs of different directions; With embedded installation part to protect the ceiling. The cover with ladder-shape design, special output lighting design, very well anti-glare, soft and comfortable. With reliable lighting structure; LED Chip sealed well to reduce the maintenance frequency of lamps. It is suitable for hotel and bathroom etc.






CE IP65
 NW: 0.28Kg
 0°~30°Tilt

 5 - 25mm
 Φ 83mm



R3B0626

AW

10W LED 3000K / excl. 250mA LED Driver / 37V



AW

10W LED 3000K / excl. 250mA LED Driver / 37V



High	Beam Angle	Illuminance	Diameter
1m	36°	1500 lx	0.64 m
2m	36°	375 lx	1.27 m
3m	36°	167 lx	1.91 m
4m	36°	94 lx	2.55 m
5m	36°	60 lx	3.18 m



AW

10W LED 3000K / excl. 250mA LED Driver / 37V

