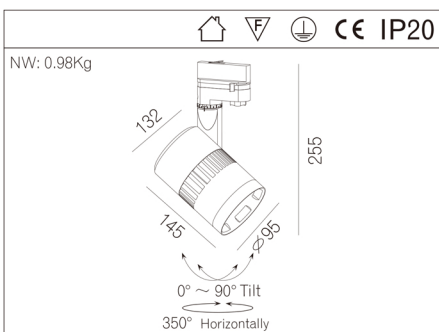


COB LED(CITIZEN)

Aluminum die-cast body, powder coating finishing.  
 By using the new generation of CITIZEN COB LED chip,  
 this product creates extreme low heat and offers an excellent lumen  
 performance;  
 This product contains a combination of PMMA lens and aluminum reflector to  
 achieve narrow beam performance.  
 Available with different beam angle interchangeable reflectors.  
 Horizontal rotation 350°, vertical rotation plus or minus 90° and mounting with 3  
 circuit track;

Suitable for use in areas like fancy stores, theatre, gallery and etc.  
 This product is in compliance with CE and RoHS directives.



**AB0118** YB



**AB0119** YB

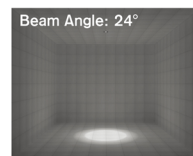
- T3A0006** XW 20W LED 3000K / With 480mA LED Driver / 37V
- T3A0006** AW 20W LED 3000K / With 480mA LED Driver / 37V
- T3A0006** YB 20W LED 3000K / With 480mA LED Driver / 37V



- XW 20W LED 3000K / With 480mA LED Driver / 37V
- AW 20W LED 3000K / With 480mA LED Driver / 37V
- YB 20W LED 3000K / With 480mA LED Driver / 37V



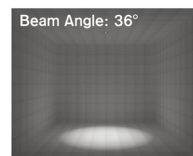
Height	1m	2m	3m	4m	5m
60°	5076 lx	1269 lx	564 lx	317 lx	203 lx
30°	0.42 m	0.86 m	1.30 m	1.72 m	2.15 m
	Illuminance		Diameter		



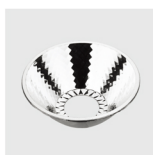
- XW 20W LED 3000K / With 480mA LED Driver / 37V
- AW 20W LED 3000K / With 480mA LED Driver / 37V
- YB 20W LED 3000K / With 480mA LED Driver / 37V



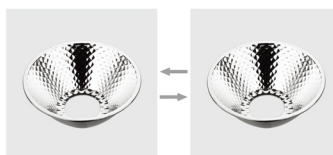
Height	1m	2m	3m	4m	5m
60°	2546 lx	637 lx	283 lx	159 lx	102 lx
30°	0.57 m	1.15 m	1.95 m	2.47 m	3.16 m
	Illuminance		Diameter		



- XW 20W LED 3000K / With 480mA LED Driver / 37V
- AW 20W LED 3000K / With 480mA LED Driver / 37V
- YB 20W LED 3000K / With 480mA LED Driver / 37V



16° reflector  
16° Interchangeable reflector



24° reflector  
24° and 36° Interchangeable reflector



60° reflector