

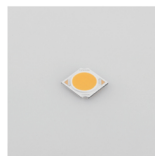
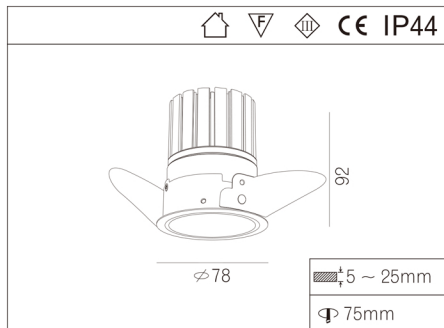
Light body material for aluminum alloy die-casting molding, cooling effect is good;

Using a new generation of cob LED chip, ultra low power consumption, energy efficient, with excellent color consistency, lamps and lanterns guarantee reliable performance, effectively extending the service life of the lamp;

Spring installation, simple and reliable and convenient;

Applicable to the bedroom, living room, professional stores, hotels, villas and other places;

This product is in compliance with CE and RoHS directives.



COB LED

**R3B0726** AW

13W LED 2700K-3000K / excl. 350mA LED Driver / 37V

Height	Beam Diameter	Illuminance
1 m	0.20 m	7898 lx
2 m	0.41 m	1974 lx
3 m	0.62 m	877 lx
4 m	0.83 m	493 lx
5 m	1.04 m	315 lx

7866 cd

