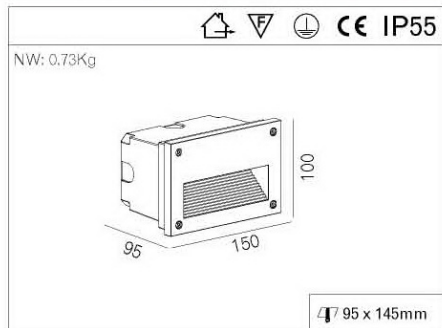
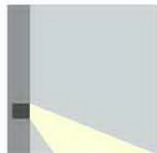


Ladder



R3A0015 CS

2 x 3W LED 2700K-3000K / With 350mA LED Driver / AC230V~50Hz

R3A0015 CB

2 x 3W LED 2700K-3000K / With 350mA LED Driver / AC230V~50Hz

R3A0015 CW

2 x 3W LED 2700K-3000K / With 350mA LED Driver / AC230V~50Hz

The cover frame and the lamp body are made of aluminum alloy and are molded through die-casting; the surface is treated by two processes of electrostatic dusting.

The step cover is equipped with sandblasted fully toughened glass with woven design; Silica gel waterproof gaskets which are resistant to high temperature are installed under the cover; the protection class is IP55.

COB LED light source is used, and electric appliances are installed internally.

It is suitable for exterior corridor, passage-way, wall footing, park, and so on. This product is CE certified and all materials are in conformity with RoHS standard.