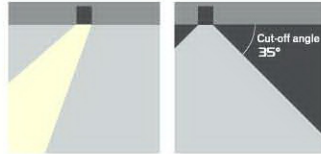
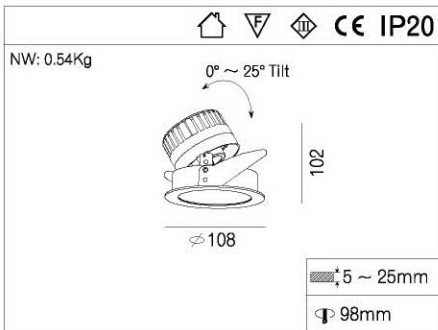
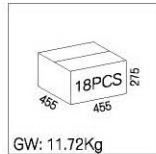


LED Lobby



This product contains an aluminum die-cast front and heat sink, completing with powder coating or oil painting finishing; By using the new generation of CITIZEN COB LED chip, this product creates extreme low heat and offers an excellent lumen performance; This product completes with high light transmittance PC lens, available with several different beam angles.

Suitable for use in areas like hotel, supermarket, fancy store, home and etc. This product is in compliance with CE and RoHS directives.



R3B0202 AW

R3B0202 AS

10W LED 2700K-3000K / excl. 240mA LED Driver / 37V

10W LED 2700K-3000K / excl. 240mA LED Driver / 37V



High	illuminance	Diameter
1 m	4976 lx	0.26 m
2 m	1244 lx	0.53 m
3 m	553 lx	0.79 m
4 m	311 lx	1.05 m
5 m	199 lx	1.32 m



AW

AS

10W LED 2700K-3000K / excl. 240mA LED Driver / 37V

10W LED 2700K-3000K / excl. 240mA LED Driver / 37V



High	illuminance	Diameter
1 m	2377 lx	0.46 m
2 m	594 lx	0.92 m
3 m	264 lx	1.39 m
4 m	149 lx	1.85 m
5 m	95 lx	2.31 m



AW

AS

10W LED 2700K-3000K / excl. 240mA LED Driver / 37V

10W LED 2700K-3000K / excl. 240mA LED Driver / 37V



High	illuminance	Diameter
1 m	1215 lx	0.65 m
2 m	304 lx	1.30 m
3 m	135 lx	1.95 m
4 m	76 lx	2.60 m
5 m	49 lx	3.25 m



AW

AS

10W LED 2700K-3000K / excl. 240mA LED Driver / 37V

10W LED 2700K-3000K / excl. 240mA LED Driver / 37V



High	illuminance	Diameter
1 m	662 lx	1.15 m
2 m	166 lx	2.31 m
3 m	74 lx	3.46 m
4 m	41 lx	4.62 m
5 m	26 lx	5.77 m



OSRAM LED Driver
Pout: 10W
Uout: 27 ~ 54VDC
Un: 220 ~ 240VAC
Iout: 290 / 350 / 420mA

AD0164



TCI LED Driver
Pout: 10W
Uout: 43VDC
Un: 100 ~ 240VAC
Iout: 250mA

AD0106